

# ROSE

## Cradle

### Owner's Manual



**Scan the QR code to register your product**

<https://www.sweetpeababy.com/customer-care/product-registration/>



Read all instructions before  
assembling and using product.  
**IMPORTANT** - Keep Instructions for  
future use.

  
sweetpea baby

1221R1-6451

# SAFE SLEEP TIPS



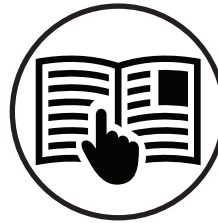
Adult Assembly  
Required.



Small parts may  
present choking  
hazard prior to  
assembly.



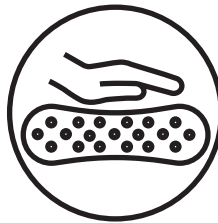
DO NOT use the  
product if it is  
damaged, broken,  
and/or components are  
missing or broken.



Please read the  
instructions  
thoroughly. Identify all  
parts & hardware.



Do Not Use Power  
Drills or Drivers.



To protect your parts  
during assembly,  
please place them on a  
soft surface.



Contact Sweetpea  
Baby in case of any  
assistance needed.



To clean surface, use  
only water on a damp  
cloth. Do not use  
window cleaner or  
cleaning abrasive as it  
will scratch the surface  
and could damage the  
protective coating.

# THANK YOU...

.... for choosing **Sweetpea Baby** and congratulations on joining our family; a family that has been transforming lives for 30 years!

We appreciate your feedback and wish you the very best in the coming years with your new addition. If you have any questions or concerns please don't hesitate to reach out to us. One of our trusted Customer Care representatives will be happy to assist you.

Thank you again for entrusting us to provide you with safe and affordable baby products and accessories.

## **LIMITED WARRANTY:**

- Sweetpea Baby warrants its product to be free from defects in material and workmanship and agrees to remedy any such defect.
- This warranty covers 1 year from the date of original purchase.
- This warranty is valid only upon presentation of proof of purchase.
- This is solely limited to the repair or replacement of defective furniture components and no assembly labor is included.
- This warranty does not apply to any product which has been improperly assembled, subjected to misuse or abuse or which has been altered or repaired in any way.
- This warranty gives you specific legal rights and you may also have other rights which vary from State to State.

# WARNINGS

- FAILURE TO FOLLOW THESE WARNINGS AND ASSEMBLY INSTRUCTIONS COULD RESULT IN SERIOUS INJURY OR DEATH.
- TO REDUCE THE RISK OF SIDS, PEDIATRICIANS RECOMMEND HEALTHY INFANTS BE PLACED ON THEIR BACKS TO SLEEP, UNLESS OTHERWISE ADVISED BY YOUR PHYSICIAN.
- CHECK THIS PRODUCT FOR DAMAGED HARDWARE, LOOSE JOINTS, MISSING PARTS OR SHARP EDGES BEFORE AND AFTER ASSEMBLY AND FREQUENTLY DURING USE.
- **DO NOT** USE THIS CRADLE IF ANY PARTS ARE MISSING, DAMAGED OR BROKEN. CONTACT **SWEETPEA BABY - 1532 S. WASHINGTON AVE, PISCATAWAY, NJ 08854** FOR REPLACEMENT PARTS.
- **DO NOT** USE A WATER MATTRESS WITH THIS CRADLE.
- IF REFINISHING, USE A NON-TOXIC FINISH SPECIFIED FOR CHILDREN'S PRODUCTS.

## **STRANGULATION HAZARD:**

- STRINGS CAUSE STRANGULATION! DO NOT PLACE ITEMS WITH A STRING AROUND A CHILD'S NECK, SUCH AS HOOD STRINGS OR PACIFIER CORDS. **DO NOT** SUSPEND STRINGS OVER A CRADLE OR ATTACH STRINGS TO TOYS.
- TO HELP PREVENT STRANGULATION TIGHTEN ALL FASTENERS. A CHILD CAN TRAP PARTS OF BODY OR CLOTHING ON LOOSE FASTENERS.
- **DO NOT** PLACE CRADLE NEAR WINDOW WHERE CORDS FROM BLINDS OR DRAPES MAY STRANGLE A CHILD.
- INFANTS CAN SUFFOCATE ON SOFT BEDDING.
- NEVER ADD A PILLOW, COMFORTER OR PADDING.
- NEVER PLACE ADDITIONAL PADDING UNDER INFANT.
- NEVER USE PLASTIC SHIPPING BAGS OR ANY PLASTIC FILM AS MATTRESS COVERS, BECAUSE THEY CAN CAUSE SUFFOCATION.
- INFANTS CAN SUFFOCATE IN GAPS BETWEEN AN EXTRA PAD AND SIDE OF THE BASSINET/CRADLE, AND ON SOFT BEDDING. NEVER ADD A MATTRESS, PILLOW, COMFORTER, OR PADDING. USE ONLY THE PAD PROVIDED BY THE MANUFACTURER.
- IF A SHEET IS USED WITH THE PAD, USE ONLY THE ONE PROVIDED BY THE BASSINET OR CRADLE MANUFACTURER OR ONE SPECIFICALLY DESIGNED TO FIT THE DIMENSION OF THE BASSINET OR CRADLE MATTRESS. TO REDUCE THE RISK OF SIDS, PEDIATRICIANS RECOMMEND HEALTHY INFANTS BE PLACED ON THEIR BACKS TO SLEEP, UNLESS OTHERWISE ADVISED BY YOUR PHYSICIAN.

## **FALL HAZARD:**

- WHEN CHILD IS ABLE TO PULL TO STANDING POSITION, SET MATTRESS TO LOWEST POSITION AND REMOVE BUMPER PADS, LARGE TOYS AND OTHER OBJECTS THAT COULD SERVE AS STEPS FOR CLIMBING OUT. AFTER RAISING SIDE, MAKE SURE LATCHES ARE SECURE (*DISREGARD FOR NON-DROP SIDE CRADLE*).
- **DO NOT** LEAVE CHILD IN CRADLE WITH SIDES LOWERED. BE SURE SIDE IS IN RAISED AND LOCKED POSITION WHENEVER CHILD IS IN CRADLE (*DISREGARD FOR NON-DROP SIDE CRADLE*).
- TO HELP PREVENT FALLS, DO NOT USE THIS PRODUCT WHEN THE INFANT BEGINS TO PUSH UP ON HANDS AND KNEES OR HAS REACHED 15 LBS, WHICHEVER COMES FIRST.
- WHEN STORING CRADLE USE CAUTION AS EXTREME CHANGES IN TEMPERATURE OR HUMIDITY CAN COMPROMISE THE CRADLE MAKING IT EXTREMELY DANGEROUS TO YOUR CHILD.
- USE CAUTION WHEN A VAPORIZER OR HUMIDIFIER IS IN USE. ALWAYS AIM VAPOR AWAY FROM THE CRADLE AS WELL AS ANY OTHER WOODEN FURNITURE. PROLONGED PERIODS OF HUMIDITY IN STORAGE AS WELL AS IN THE HOME CAN COMPROMISE THE CRADLE.
- AVOID USING VAPORIZERS AND HUMIDIFIERS FOR PROLONGED PERIODS OF TIME.
- FOLLOW DUCTS IN CRADLE.

### **WARNING**

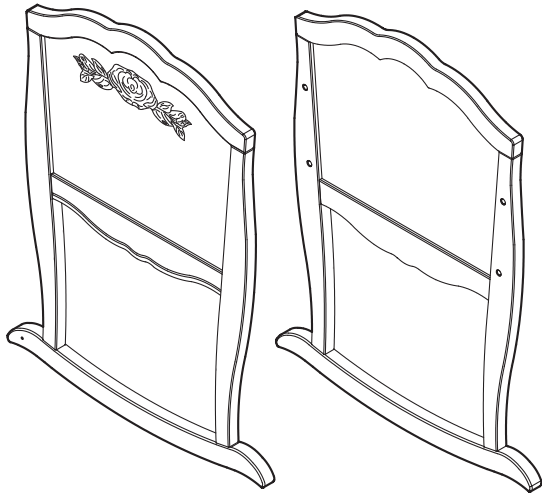
- Do not use this cradle if you cannot exactly follow the accompanying instructions.
- Do not use this cradle for a child who can climb out of it or who is taller than 90 cm.
- Do not place in or near this cradle any cord, strap or similar item that could become wrapped around a child's neck.
- Do not place this cradle near a window or a patio door where the child could reach the cord of a blind or curtain and be strangled.
- Check this cradle regularly before using it and do not use it if any parts are loose or missing or if there are any signs of damage. Do not substitute parts. Contact the manufacturer if replacement parts or additional instructions are needed.
- Use a cradle mattress that is no thicker than 15 cm and is of such a size that, when it is pushed firmly against any side of cradle, it does not leave a gap of more than 3 cm between the mattress and any part of the sides of the cradle.
- Children can suffocate on soft bedding. Do not place pillows, comforters or soft mattress in this cradle.

### **MISE EN GARDE**

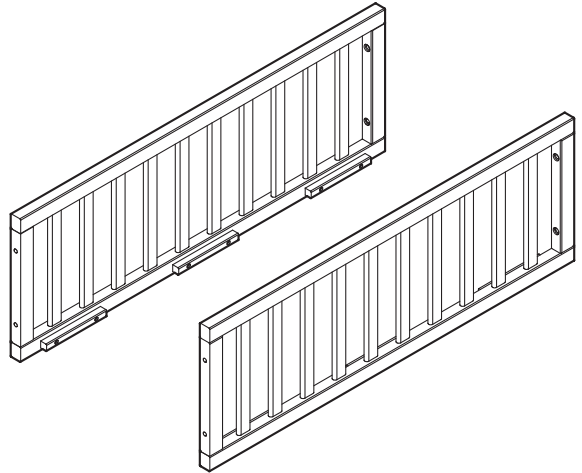
- Ne pas utiliser le lit a moins d' être en mesure de suivre précisément les instructions qui l' accompagnent.
- Ne pas utiliser le lit si l' enfant est capable d' en sortir on mesure plus de 90 cm.
- Ne pas mettre dans le lit on à proximité de celui-ci des cordes, courroies on objects semblables qui risqueraient de s'enrouler autour du cou de l' enfant.
- Ne pas placer le lit près d' une fenètre on d' une porte-fenètre on l' enfant pourrait se saisir de codes d' un store ou d' un rideau et s' etrangler.
- Vérifier régulièrement le lit préalablement à son utilisations et ne pas l' utiliser en cas de détection d' une pièce desserrée, de pièce manquante ou de tout signe de dommages. Ne pas substituer une pièce a une autre. Communiquer avec le fabricant pour obtenir, au besoin, une pièce de rechange ou des instructions supplémentaires.
- Utiliser un matelas pour lit d' enfant dont l' épaisseur est d' au plus 15 cm et dont la superficie permet d' empêcher, lorsqu'il est poussé fermement contre un côté quelconque du lit, qu'un espace de plus de 3 cm soit créé entre le matelas et une partie quelconque de tout côté.
- L' enfant peut s' étouffer en présence d' articles de literie mous. Ne pas mettre dans le lit d' oreiller, d' édredon ou de matelas mou.

# PARTS

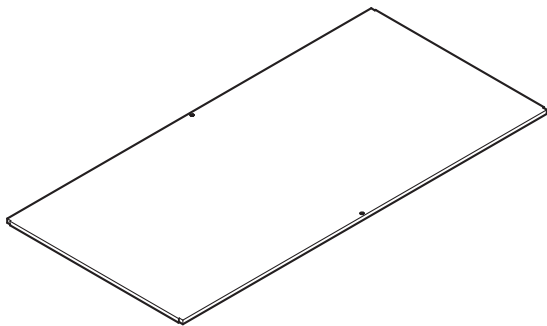
If there are any missing parts, please contact **Sweetpea Baby** before using the product.



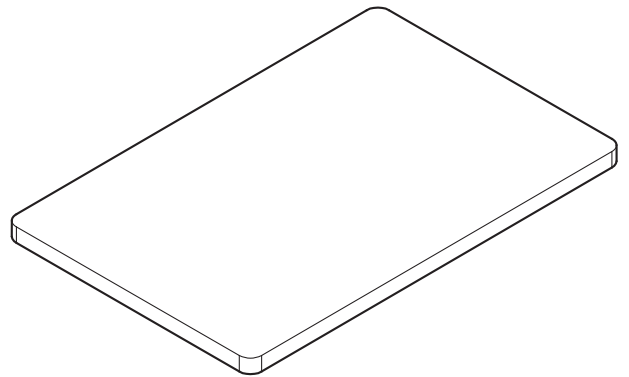
**1** Headboards (x2)



**2** Side Rails (x2)



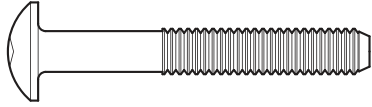
**3** Mattress Support Panel



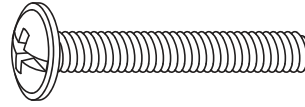
**4** Mattress Pad

# HARDWARE

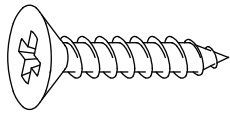
If there are any missing parts, please contact **Sweetpea Baby** before using the product.



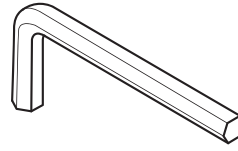
**A** Bolt 1-3/4" (x8)



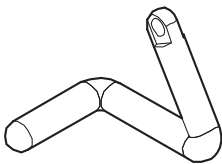
**B** Bolt 1-3/16" (x2)



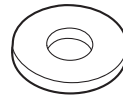
**C** Screw (x2)



**D** Allen Key

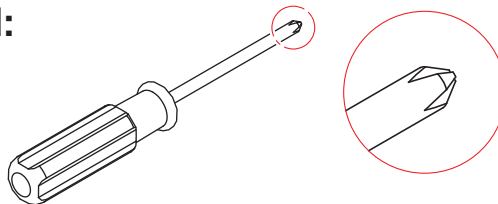


**E** Cradle Lock (x2)



**F** Plastic Washers (x2)

Tools Needed:

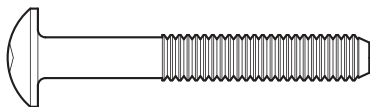
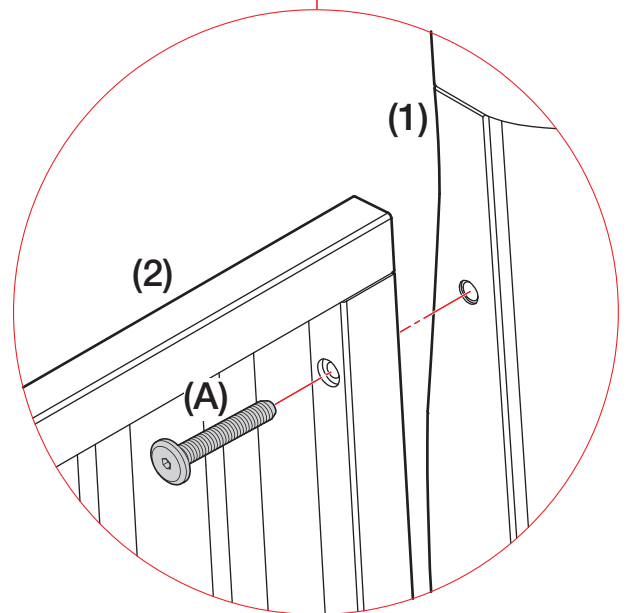
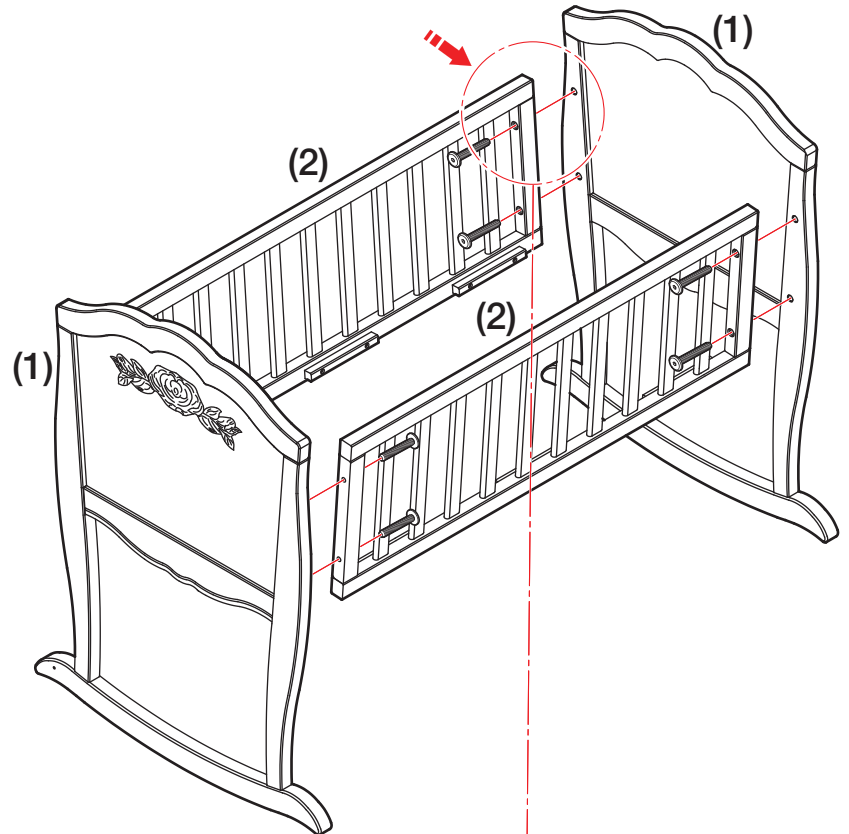


**Phillips Screw Driver (NOT INCLUDED)**

# CRADLE ASSEMBLY - SIDE RAILS ASSEMBLY

## 1

- 1a. Align the Side Rails (2) in between two Headboards(1) as shown in the diagram.
- 1b. Locate the holes on the Side Rails (2) and Headboards, insert the Bolts (A) on all the four corners from inside the Side Rails.
- 1c. Tighten all the bolts using Allen Key (D) provided.



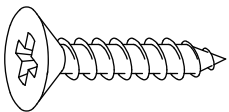
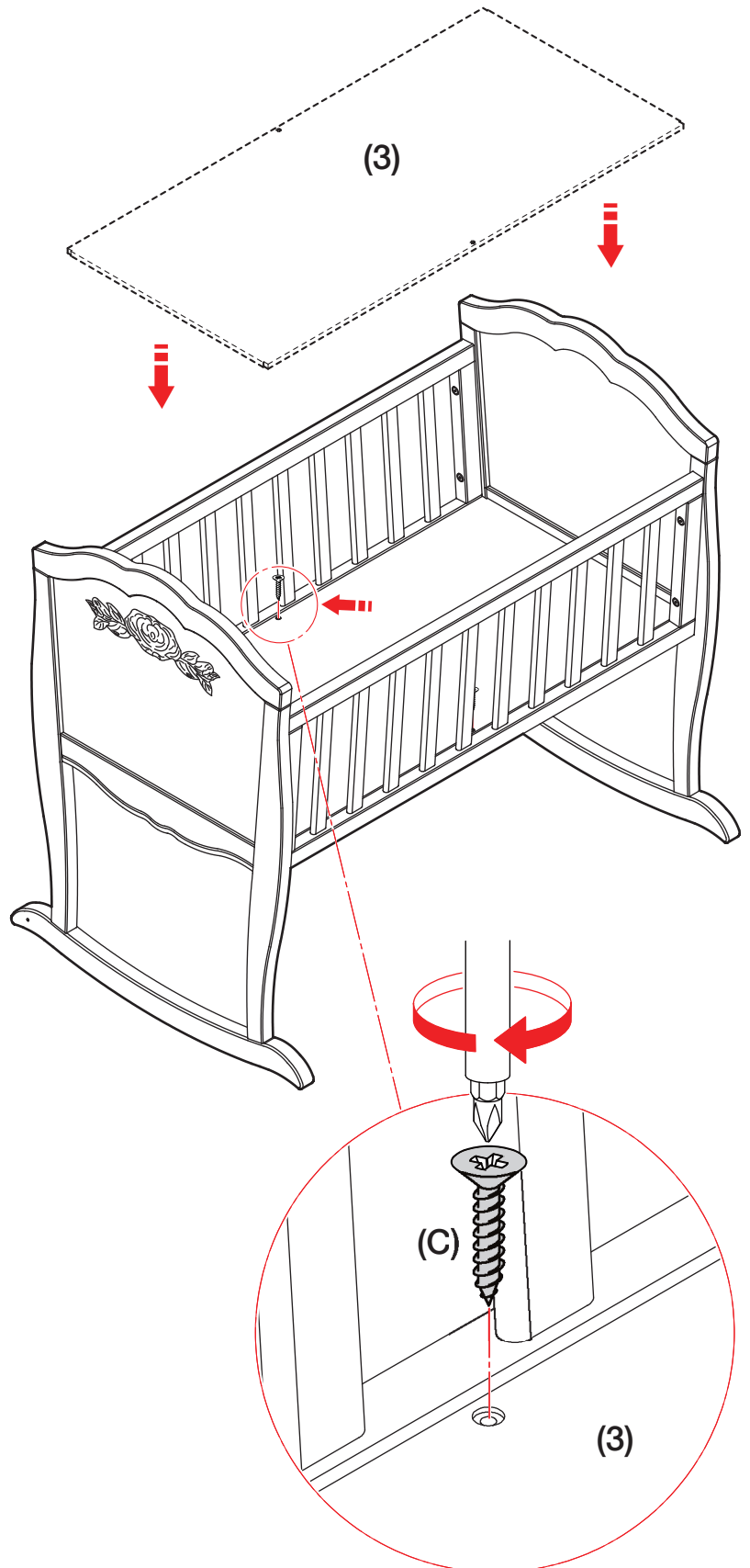
**A** Bolt 1-3/4" (x8)



# CRADLE ASSEMBLY- MATTRESS SUPPORT PANEL ASSEMBLY

## 2

- 2a. Place the Wooden Mattress Support Panel (3) in between the previously assembled Side Rails. Refer to the diagram shown.
- 2b. Locate the holes at the center of the Wooden Support Panel (3) on both sides, insert the Screw (C) and tighten it with Philips Screwdriver (Not included in the box).

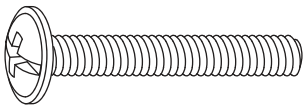
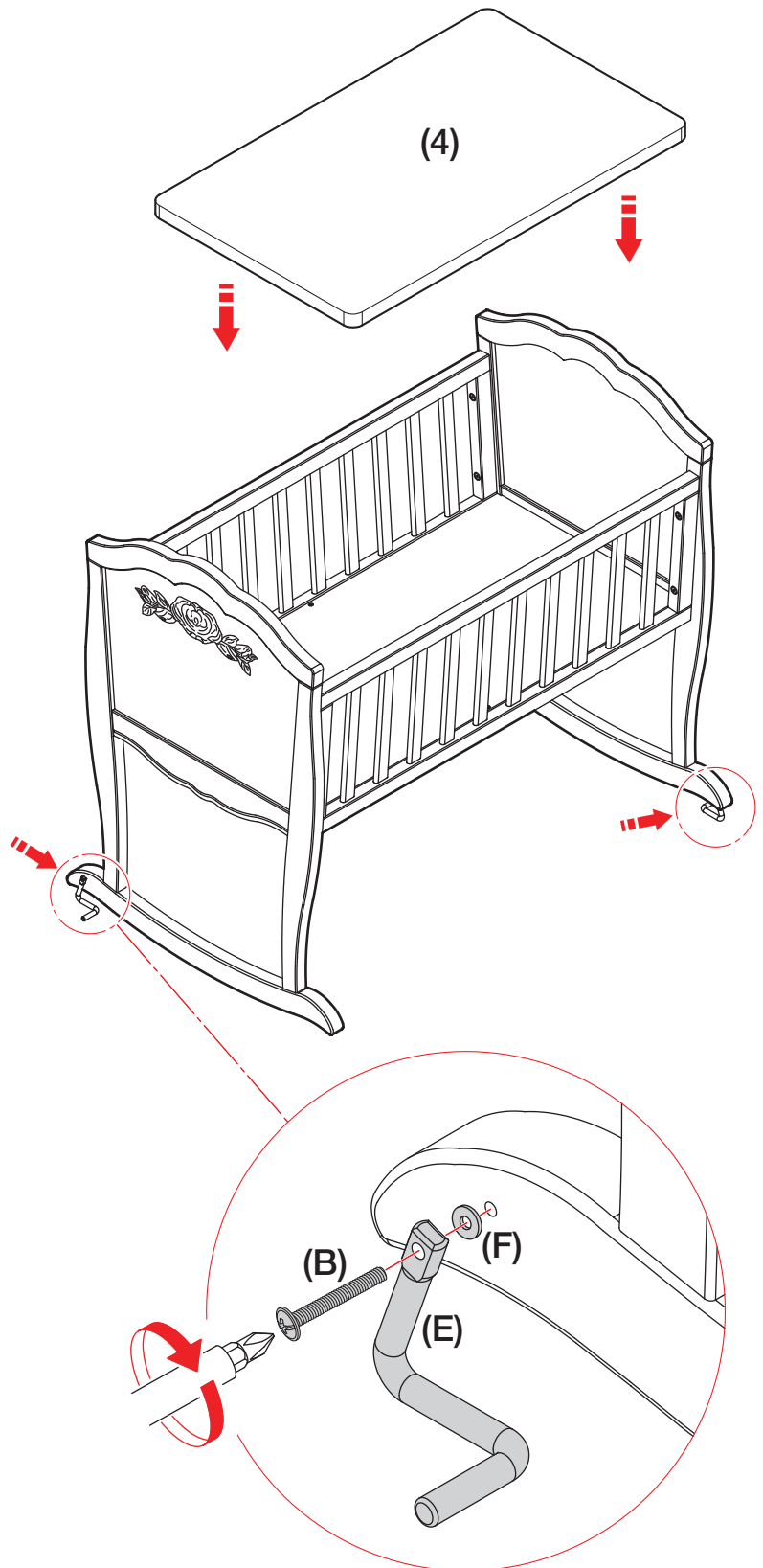


**(C)** Screw (x2)

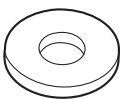
# CRADLE ASSEMBLY - CRADLE LOCK ASSEMBLY AND MATTRESS PAD PLACEMENT

## 3

- 3a. To attach the Cradle Lock (E) to the cradle, locate the hole on the legs of the Headboards (1). Place the Plastic Washer (F) on it, align the Cradle Lock (E) and Insert the Bolt (B) into both. Tighten the Bolt (B) with a Phillips ScrewDriver (Not Included in the box). Follow the same on the diagonally opposite side of the Foot of the Headboard.
- 3b. Make sure the Cradle Lock is facing downwards as shown in the diagram to ensure proper cradling/rocking movements.
- 3b. Place the Mattress Pad (4) on the Wooden Mattress Support Panel.



**B** Bolt 1-3/16" (x2)

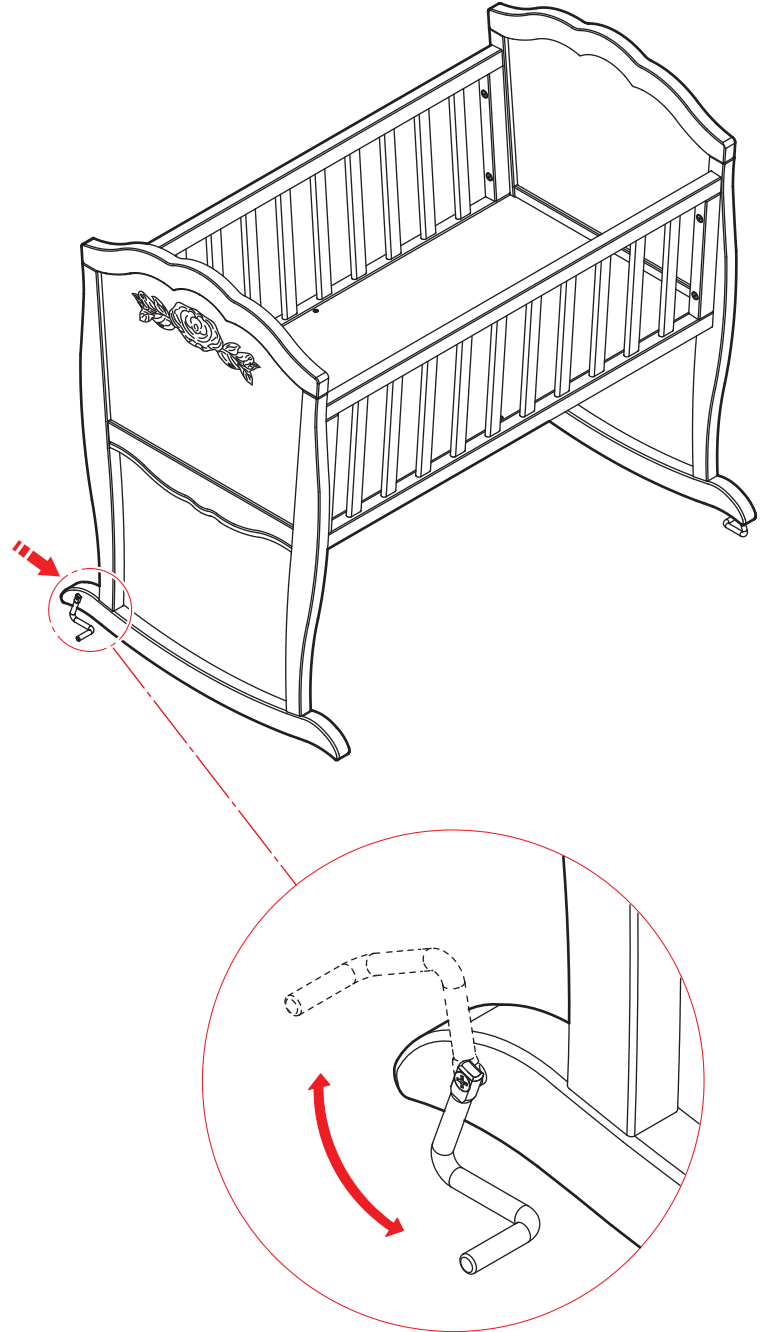


**F** Plastic Washers (x2)

# CONVERSION MODE - BASSINET MODE

# 1

- 1a. To use the Cradle as a Bassinet, simply turn the Cradle Lock upwards as depicted in the diagram.
- 1b. Follow the above step for both the Cradle Locks.



# CRADLE CARE INSTRUCTIONS

## ROOM CLIMATE CONTROL:

- Wood, when first cut contains more than 50 percent water. When it is prepared for furniture construction it is placed in a Kiln and the moisture content is brought down to 8 to 10 percent. Wood is porous and responds to its environment. If the room has high humidity it will absorb it and expand and if the humidity is low it will lose moisture and shrink.
- It is important that the humidity levels in the room be controlled from extremes of too much humidity or too little. Furniture should not be placed close to the air-conditioning outlets, fire places, radiators, space heaters, humidifiers or dehumidifiers. Exposure to extreme variations of temperature and humidity can damage any fine wood product.

## THE IDEAL ENVIRONMENT FOR FINE FURNITURE:

- Fine wood furniture will have fewer problems when its environment is controlled at a temperature between 65 and 75 degrees and a relative humidity between 35 and 40 percent. Wood placed in an environment outside of those limits can and will shrink or expand and may develop some small cracks which are not material or structural defects.

## STICKING DOORS AND DRAWERS:

- With the minor changes in temperature and humidity, doors and drawers may swell and be difficult to open or close. Tolerances have been built into the units but extreme conditions may still cause sticking. This will adjust back to normal over time but until it does consider using a dehumidifier or rub candle wax or paraffin on sides that stick.

## AVOID DIRECT SUNLIGHT:

- Keep the furniture out of direct sunlight. Ultraviolet rays will fade colors and in some cases darken them. It can also cause crazing or hair line cracks in the finish. White finishes will yellow naturally over time and exposure to direct sunlight will hasten this natural process along with some woods darkening naturally over time; this is not considered to be a quality defect.

## PROPER STORAGE:

- If you need to put your furniture in storage for any period of time do not store them in a damp basement or hot dry attic. Allow air movement around the furniture and do not stack anything on it.

## CRADLE CARE INSTRUCTIONS (cont.)

### IN GENERAL:

- Protect furniture surface from hot or extremely cold items.
- Use coasters under hot or cold beverages.
- Do not use synthetic fabric under accessories or lamps.
- Protect tops from pens, markers and crayons.
- Oils from potpourri and other scented items can damage the finish of the furniture.
- Do not drag items across the surface of the furniture.
- Allow the surface to breath by rotating your accessories and lamps.
- Do not over polish the furniture, do it only two or three times a year. Over polishing can distort the natural finish of the product.
- Do not wax the furniture, as wax build up can destroy natural finish of the product.
- When moving furniture always lift the unit. Do not push or drag it to avoid damage to legs.
- Keep the furniture level so doors and drawers open and close freely.
- Clean with a damp, not wet, cloth. Use only a mild soap. Do not use the abrasive cleaners.
- Do not scratch or chip the finish.
- Inspect the product periodically, contact Sweetpea Baby Inc for replacement parts or questions.
- Do not store the product or any parts in extreme temperatures and conditions such as a hot attic or a damp, cold basement. These extremes can cause a loss of structural integrity.
- To preserve the luster of the high-quality finish on your product, it is recommended to place a doily or felt pad under any items you place on the finish.
- Clean with a damp cloth, then a dry cloth to preserve the original luster and beauty of this fine finish.
- Do not use abrasive chemicals.
- Do not spray cleaners directly onto furniture.
- Lift slightly when moving on carpeting to prevent leg breakage.
- Use of a vaporizer near furniture will cause wood to swell and to peel.

# YOU DID IT!

## Congratulations Mom & Dad!

It's time to create your dream nursery. A safe, elegant handcrafted cradle that grows with your little one.





# sweetpea baby

1532, S. Washington Avenue  
Piscataway, NJ 08854  
E-mail: [info@sweetpeababy.com](mailto:info@sweetpeababy.com)

[www.sweetpeababy.com](http://www.sweetpeababy.com)

Follow us on

 **@Mysweetpeababy**  **@mysweetpea\_baby**  
to get your nursery featured on our social media.

**Enter our monthly giveaway!**

Simply scan the QRcode to register.



**Chat with us!**

For any questions or concerns or feedback.

